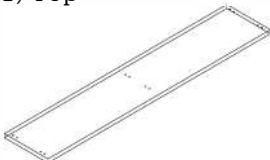

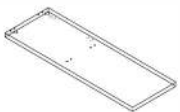

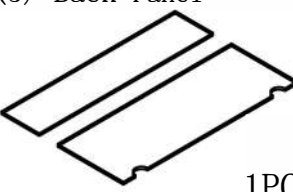





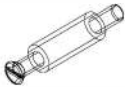
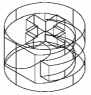



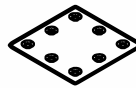
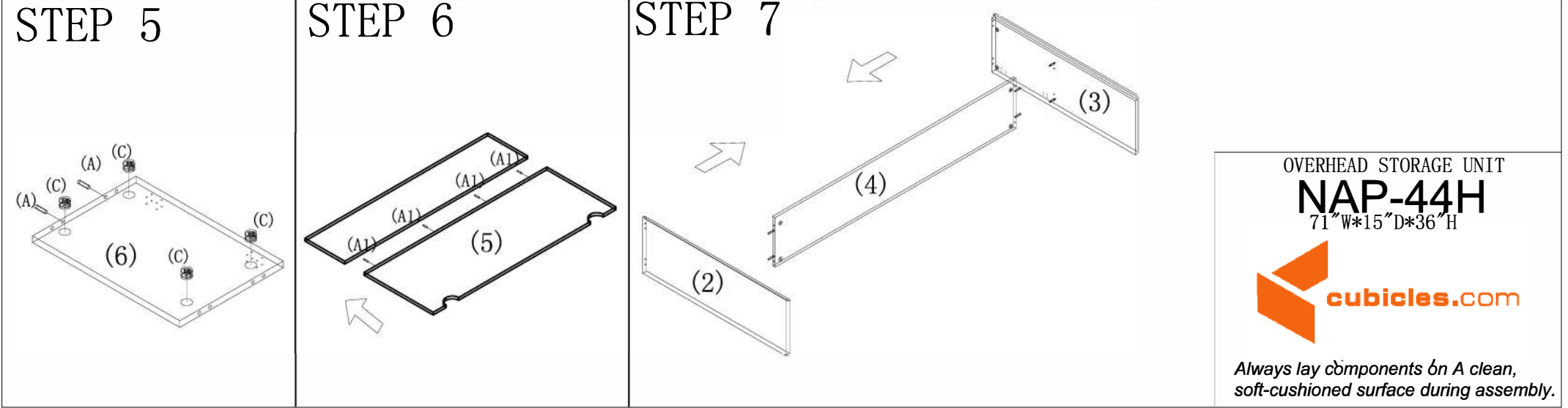
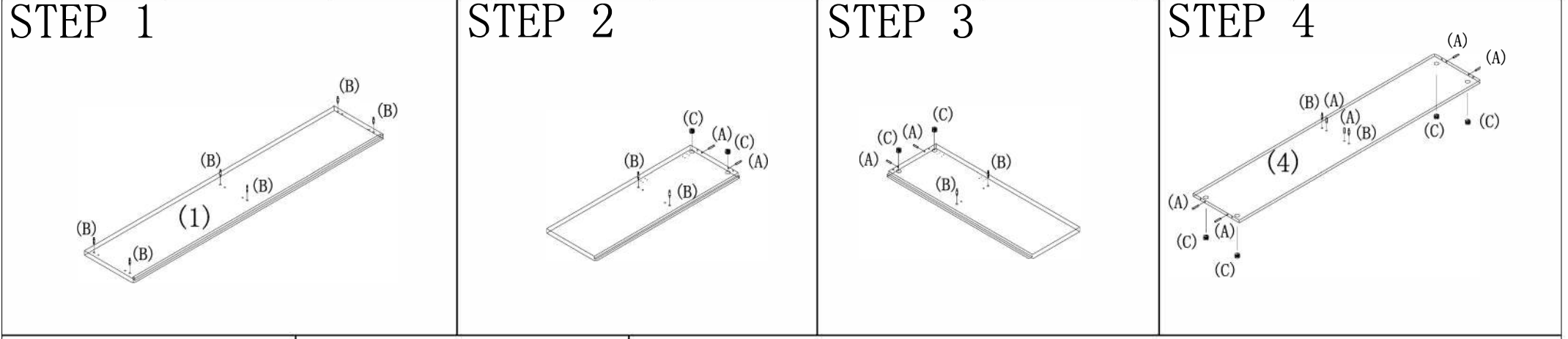
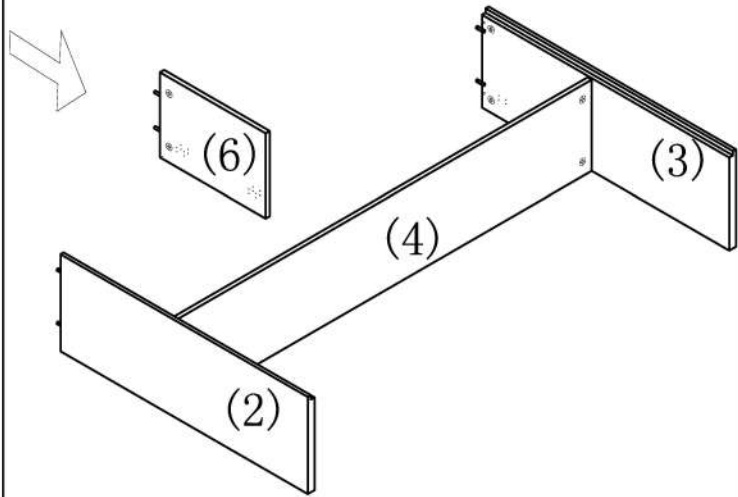


(1) Top  1PCS	(2) End Panel  1PCS	(3) End Panel  1PCS	(4) Shelf  1PCS	(5) Back Panel  1PCS	(6) Center Support  1PCS	(M) Cushion  4PCS	(M1) Cushion  4PCS
--	--	--	--	--	---	--	---

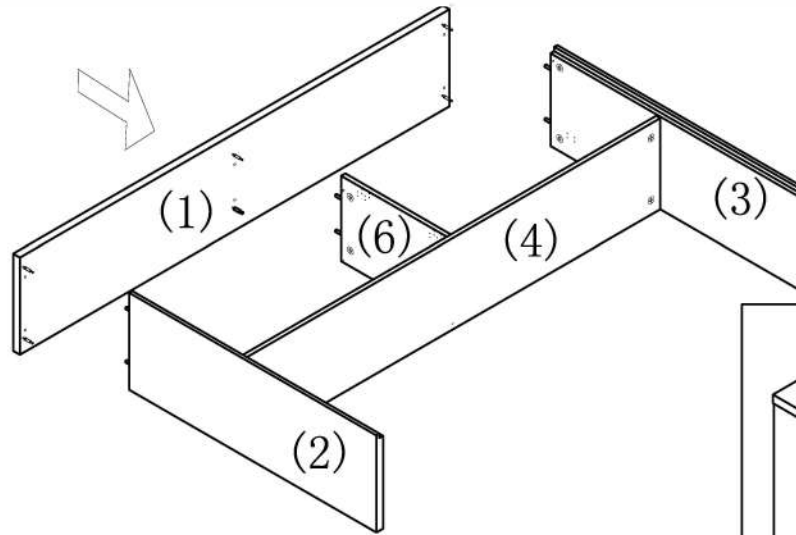
(A) Dowel  12PCS+1	(A1) Dowel  4PCS	(B) Cam Pin  12PCS+1	(C) Cam Lock  12PCS+1	(p) Cam Cover  12PCS+1	(E3) Wood Screw  20PCS+2	(E4) Wood Screw  12PCS+1	(R) Flat Bracket  2PCS
---	---	---	--	--	---	---	---



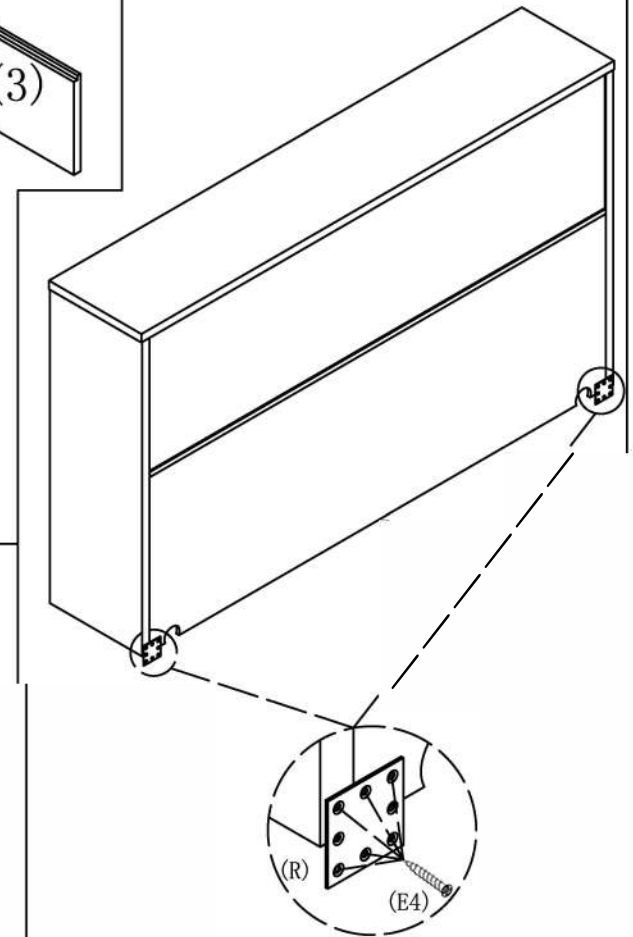
STEP 8



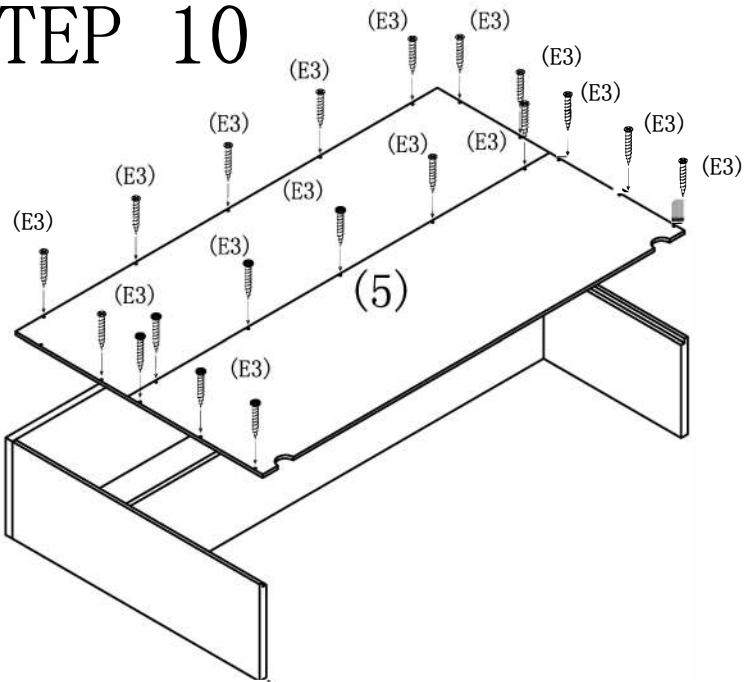
STEP 9



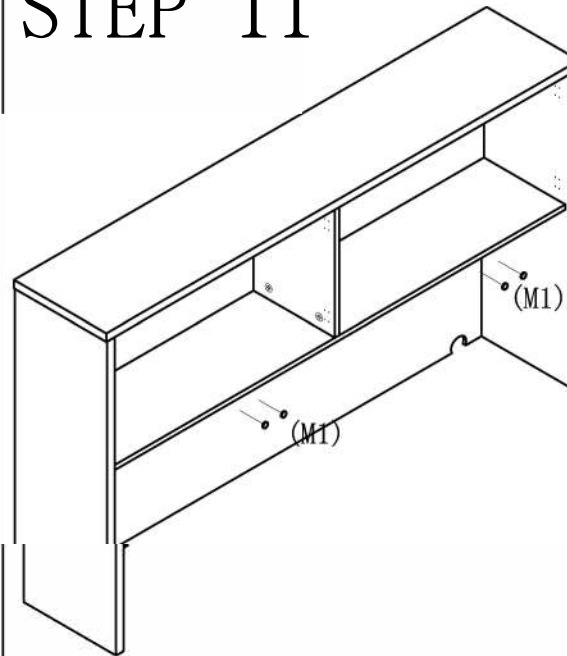
STEP 12



STEP 10



STEP 11



OVERHEAD STORAGE UNIT
NAP-44H
71"W*15"D*36"H



Always lay components on a clean, soft-cushioned surface during assembly.