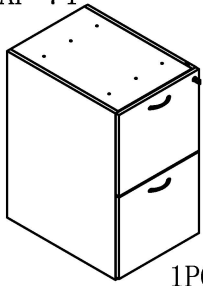
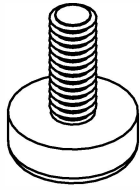


(1) NAP-74



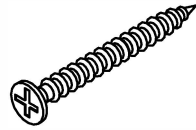
1PCS

(D) Leg Leveller



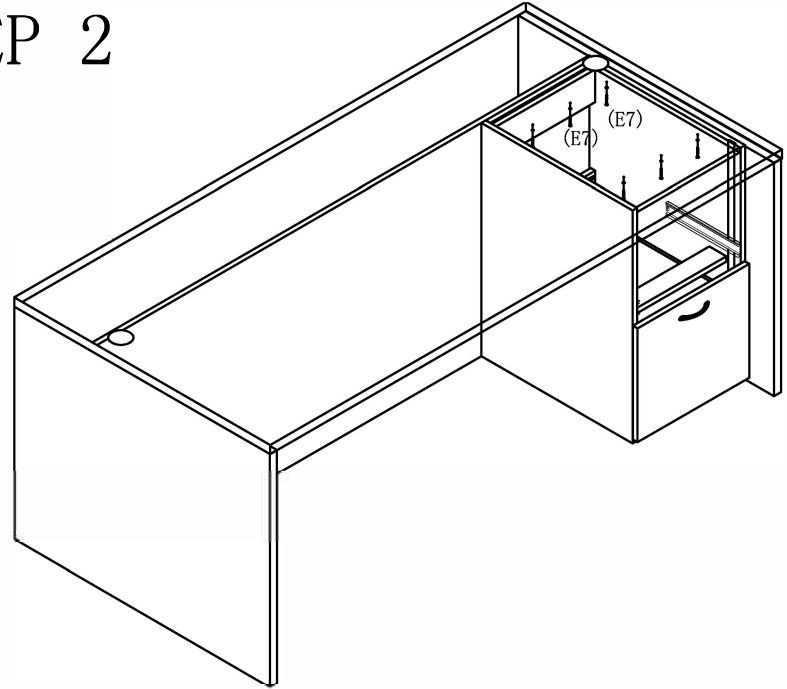
4PCS

(E7) Wood Screw

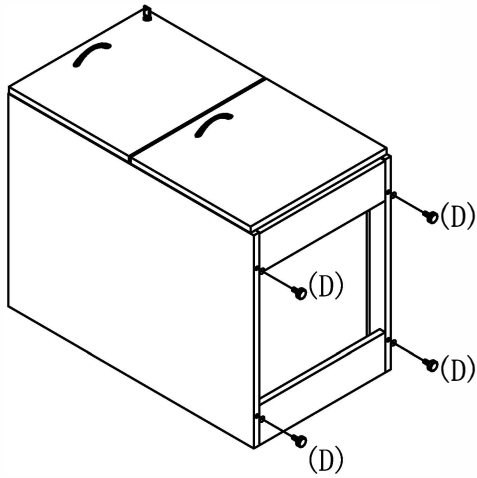


6PCS

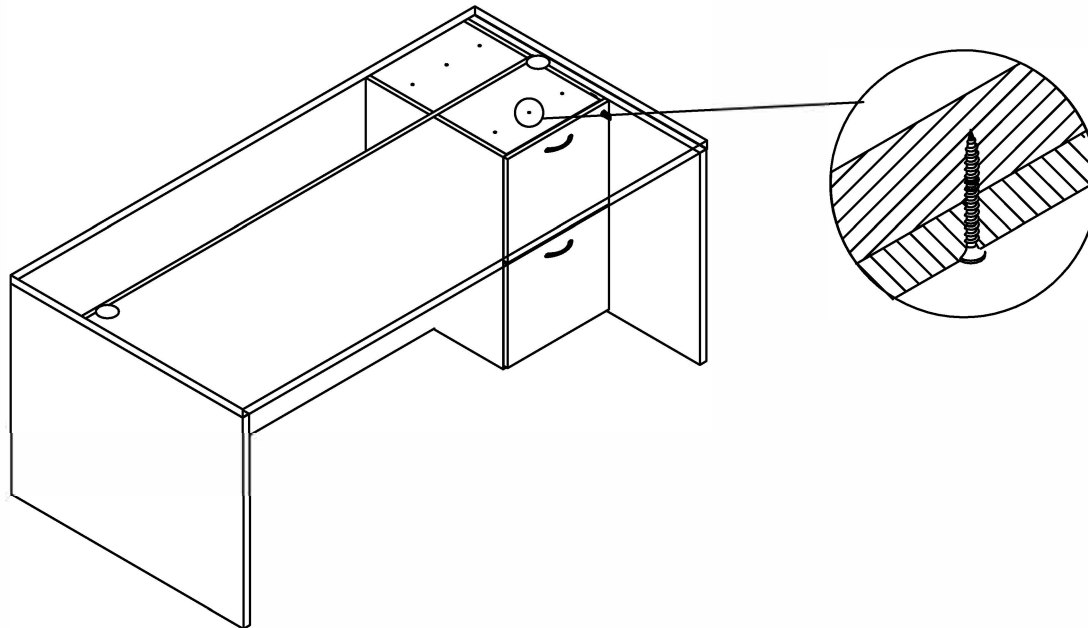
## STEP 2



## STEP 1



## STEP 3



F/F 2 DRAWER PED

NAP-74



*Always lay components on A clean, soft-cushioned surface during assembly.*